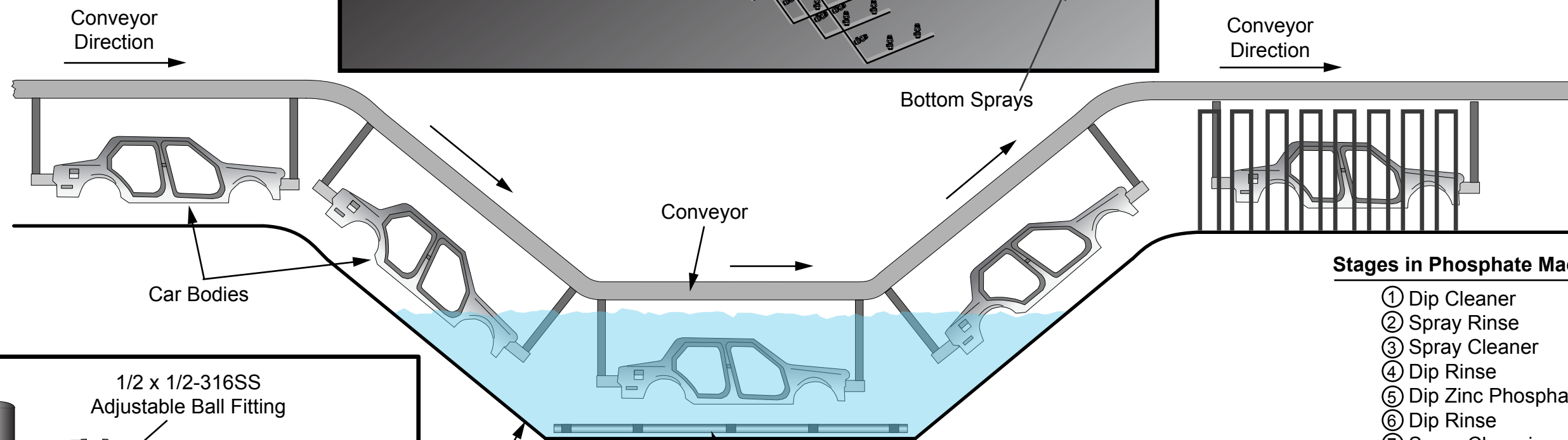


**Example of Spray Nozzle Arrangement
Stage #3 - Spray Cleaner**

Top & Side Sprays:
3/8QJJ-316SS+QU-316SS-5070 Quick
VeeJet Nozzles

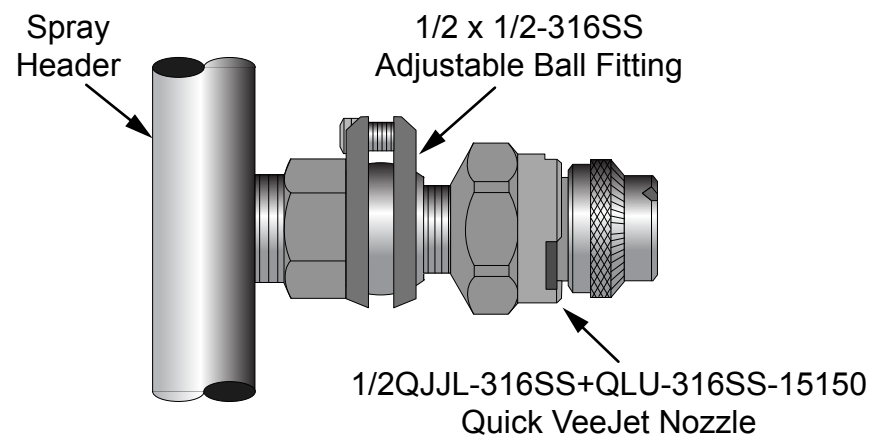
Side Flood Sprays:
1/2QJJL-316SS+QLU-316SS-15150
Quick VeeJet Nozzles with 1/2 x 1/2-316SS
Adjustable Ball Fittings.

Bottom Spray:
1/2QJJL-316SS+QLU-316SS-65150
Quick VeeJet Nozzles



Stages in Phosphate Machine

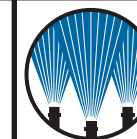
- ① Dip Cleaner
- ② Spray Rinse
- ③ Spray Cleaner
- ④ Dip Rinse
- ⑤ Dip Zinc Phosphate
- ⑥ Dip Rinse
- ⑦ Spray Chromic
- ⑧A Recirculating D.I.
- ⑧B Recirculating D.I.
- ⑨ Fresh D.I.



**Quick VeeJet Nozzle Shown
with Adjustable Ball Fitting**

DESCRIPTION:

**RINSING AUTOMOBILE BODIES
AFTER DIP TANKS IN BODY
PHOSPHATE MACHINE**



Spraying Systems Co.®

Spray Nozzles and Accessories
P.O. Box 7900 - Wheaton, IL. 60189-7900

Rev. No.

Ref.

Application Drawing No.

23188