



MiniFogger® III

Economical, efficient humidification unit designed for use when space is tight



Benefits

- Compact and lightweight – ideal for use in hard-to-reach areas such as corners, walls and ceilings. At just 4.5" (115 mm) tall, MiniFogger III fits easily in the palm of your hand
- Energy-efficient operation – uses less compressed air than other units while producing very small drops in the 6.7 to 12 micron size for fast evaporation
- Materials of construction offer good chemical resistance and are suitable for use with deionized water
- Choice of stainless steel flat spray set-ups for flow rates ranging from 0.24 to 1.22 gph (0.9 to 4.6 l/hr)
- Automatic spray pattern alignment
- Easy to maintain – no tools required

Specifications

Maximum liquid flow rate: 1.22 gph (4.6 l/hr) at 0.4 MPa (58 psi/4 bar) per set-up

Materials of construction: Polypropylene body
Stainless steel spray set-ups

Maximum operating air pressure: 0.4 MPa (58 psi/4 bar)

Inlet connections:
Air: 1/4" NPT or BSPT (F)
Water: 1/8" NPT or BSPT (F)

Height: 4.5" (115 mm)

Diameter: 3.1" (80 mm)

Weight: 0.46 lb (207 g)

Typical Applications



Textiles



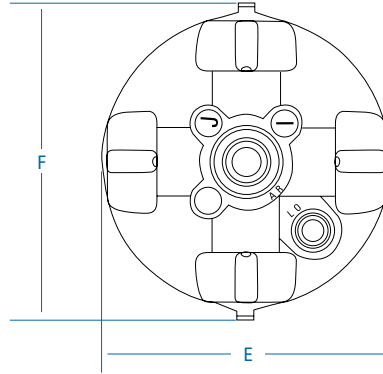
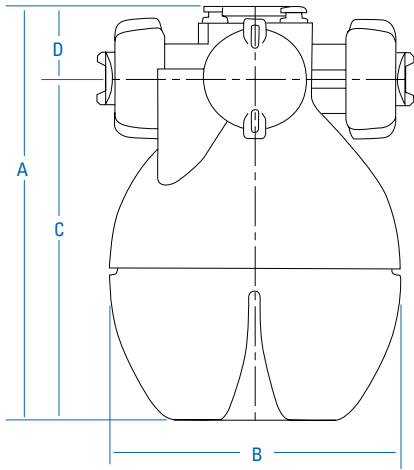
Food Processing



Storage Facilities

Printing
Furniture Manufacturing

MiniFogger® III



Dimensions

| Model No. | A in. (mm) | B in. (mm) | C in. (mm) | D in. (mm) | E in. (mm) | F in. (mm) |
|-----------|---------------|---------------|---------------|---------------|---------------|---------------|
| YMF-3 | 4.5 (115) | 3.1 (80) | 3.7 (95) | .8 (20) | 3.1 (80) | 3.4 (86.8) |

Performance Data

| Normal Type | Air Volume [L(normal)/min] | | | Flow Rate gallons per hour (liters per hour) | | | Sauter Mean Dia. (µm) | | |
|-------------|------------------------------|---------------------------|---------------------------|---|---------------------------|---------------------------|------------------------------|---------------------------|---------------------------|
| | 0.25 MPa 36 psi (2.5 bar) | 0.3 MPa 44 psi (3 bar) | 0.4 MPa 58 psi (4 bar) | 0.25 MPa 36 psi (2.5 bar) | 0.3 MPa 44 psi (3 bar) | 0.4 MPa 58 psi (4 bar) | 0.25 MPa 36 psi (2.5 bar) | 0.3 MPa 44 psi (3 bar) | 0.4 MPa 58 psi (4 bar) |
| SU1.0N | 1.1 scfm (30) | 1.2 scfm (35) | 1.6 scfm (45) | .24 (.9) | .26 (1.0) | .29 (1.1) | 8.5 | 7.6 | 6.7 |
| SU2.5N | | | | .61 (2.3) | .66 (2.5) | .69 (2.6) | 9.6 | 8.5 | 7.6 |
| SU3.0N | | | | .74 (2.8) | .79 (3.0) | .85 (3.2) | 9.8 | 9.0 | 8.4 |
| SU4.3N | | | | 1.06 (4.0) | 1.14 (4.3) | 1.22 (4.6) | 12.2 | 11.6 | 10.8 |

The standard MiniFogger III has four spray set-ups. Single spray set-ups are available. Contact your local representative for more information.

Ordering Information

| MiniFogger III | | | | | | |
|--------------------------|----------------|------------|---|---------------|---|----|
| YMF-3 | - | 4 | + | SU3.0N | - | SS |
| Humidification Unit Type | No. of Set-ups | Set-up No. | | Material Code | | |



Spraying Systems Co.®
Experts in Spray Technology

North Avenue and Schmale Road, P.O. Box 7900, Wheaton, IL 60187-7901 USA

Tel: 1.800.95.SPRAY Intl. Tel: 1.630.665.5000

Fax: 1.888.95.SPRAY Intl. Fax: 1.630.260.0842

www.spray.com



Bulletin No. 633 Printed in the U.S.A. ©Spraying Systems Co. 2008



Spray
Nozzles



Spray
Control



Spray
Analysis



Spray
Fabrication